

The main task of interphone and sound systems is to provide a voice communication between the operator and particular room. It also gives a possibility of full operator control over communication between third parties.

The system consists of:

- interphone system
- sound system
- voice communication system for visit rooms.

Both interphone system and voice communication system for visit rooms gives a possibility of connecting auxiliary loudspeakers and tape recorders for conversation recording.

Simple system assembly

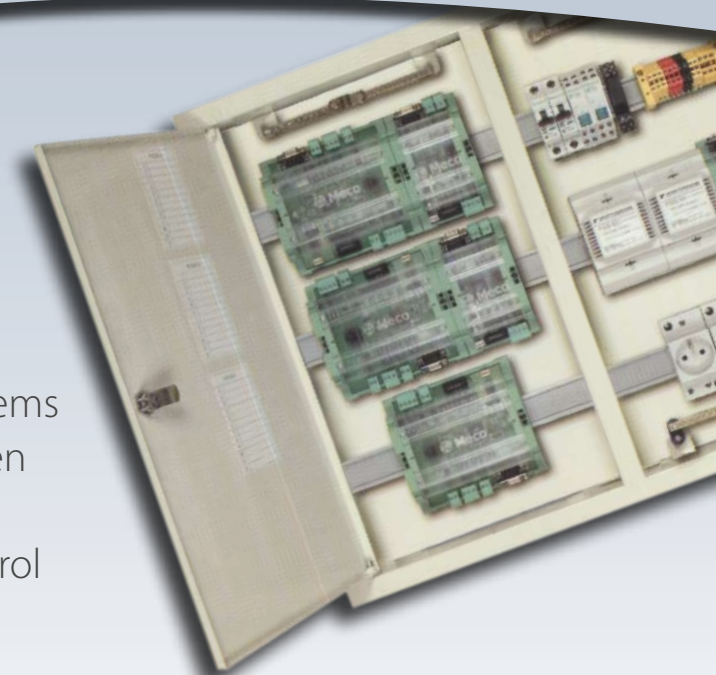
The construction of Interphone and Sound System (ISS) is similar to that implemented in MajorDomus® system i.e. building the system consists of hooking up local intercom and interphone controllers to appropriate communication buses and then connecting interphone panels and crossing

modules. Also, the system power source can be central or local depending on specific conditions or client requests. The controllers are mounted as modules in type OB SZxx housing and all of the local node devices are mounted in a convenient switch-board cabinets.

This approach enables connecting particular sub-systems of MajorDomus® not only at the cabinet level but also at the controller board housing level.

If the use of switch-board cabinet is not possible, the type OB-MTxx or OB-TW3M housing is required.

The interphone and intercom panels are made of sheet metal and can be "in-wall" mounted. Their faces are made from polished, acid-proof metal and can be riveted or screwed to the housing (depending on requirements). All outlets and buttons are vandal-proof, also when using key-pads.

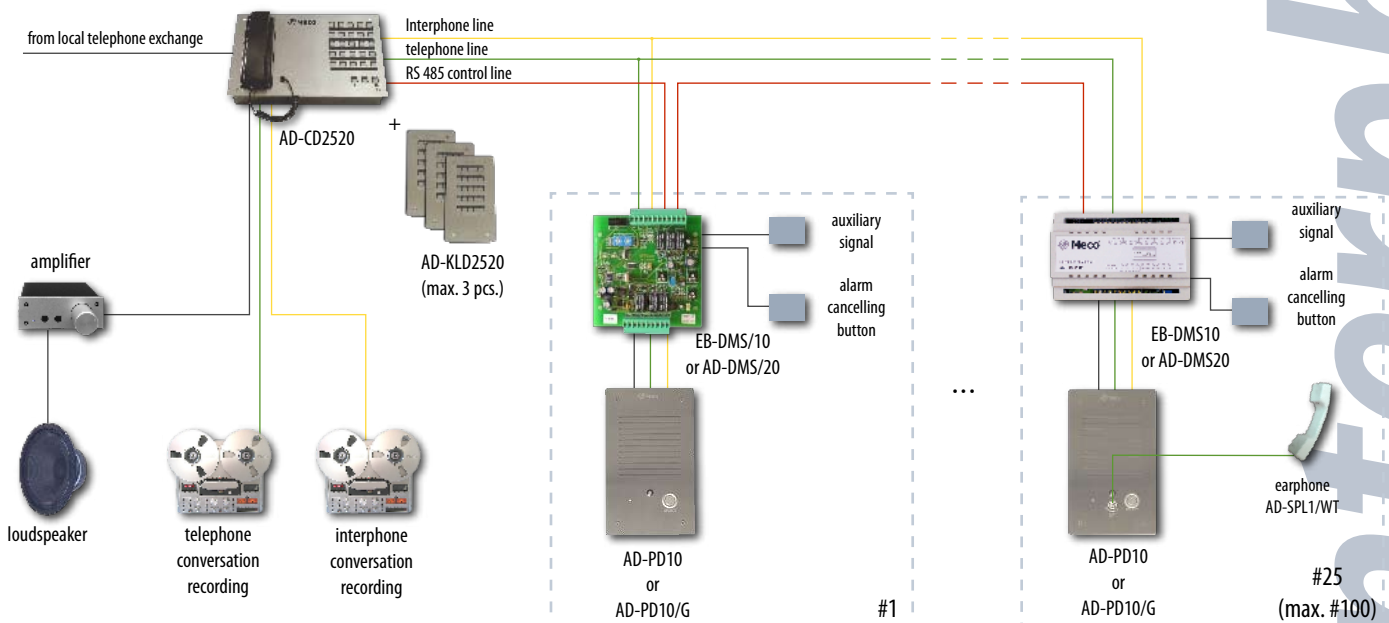


Interphone system ensures communication between the operator and different rooms giving the possibility of connecting the calls incoming from the outside (or ordered from the rooms) on the interphone panels.

In the case of telephone connection, the operator can monitor the conversation (and can disconnect it), and while using an auxiliary telephone exchange he can join the conversation.

System capabilities:

- connection of the interphone exchange and the telephone exchange
 - connecting incoming calls from the outside through the interphone panel.
 - ordering an external connection through the interphone panel
- recording of the conversations on the auxiliary recorder (both telephone and interphone)
- room monitoring (optional)
- telephone conversation regardless of the interphone conversation
- a possibility to connect an auxiliary earphone to the interphone panel (only for AD-PD10/G)
- a possibility to connect an auxiliary optical or acoustic signal and a button for cancelling calls
- a monitoring and disconnecting the conversation.
- a possibility to connect 25 controllers (interphone panels)
- a possibility of extending the system up to 100 controllers (interphone panels) by connecting additional keyboards AD-KLD 2520 (max. 3 items).



Interphone system

Sound system is used to distribute the audio signals (radio, tape recorder, etc.) to different rooms via the sound panels. The system also enables distribution of news broadcasted with priority from the microphone station (the news can be heard on the panel, no matter what the local level of loudness is).

System capabilities:

- music and radio stations broadcasting, etc.
- news broadcasting from the microphone stations
- a possibility to connect additional control panels
- a preference of the news coming from the microphone stations (the news can be heard, no matter what the level of loudness on the sound panel is)
- a possibility of remote control of the loudness level 0%, 50%, 100% regardless to the settings on the sound panel.

microphone station
with news priority



local sound source



100 V amplifier



100 V bus

100 V bus

EB-RMS1
or
AD-RMS2



EB-RMS1
or
AD-RMS2



AD-PRW1
or
AD-PRW1/PS



AD-PRW1
or
AD-PRW1/PS



loudspeaker
with volume
control



Sound systems panels

Voice communication system for visit rooms is designed to provide the communication between two visitors and one who is being visited. The important characteristic of the system is the permanent operator supervision of the time and content of the conversation (with the possibility of joining the conversation, disconnecting it or locking it at any time).

System capabilities:

- 2+1 conversations (3 earphones)
- registration of the conversation time together with the automatic start/stop, the possibility to display the elapsed time:
 - in both sections of visit room (two clocks)
 - at the operator's

- a possibility of joining the conversation as a third participant
- a possibility of hanging up the conversation by the operator (the clock is not being reset) and its resuming
- a possibility of loudspeakers connection
- a possibility to record conversations on the auxiliary recorder in one of the following modes:
 - directly from the room (1:1)
 - from any room through the main bus (n:1 connection)
- a possibility to connect a headset for listening in one of the following modes:
 - from a chosen room, with the possibility of switching between the rooms
 - from a chosen room directly from the outlet corresponding to this particular room
- cascade connection of max. 4 type AD-CW1410 exchanges with their simultaneous use.

